

ZKR Comfort

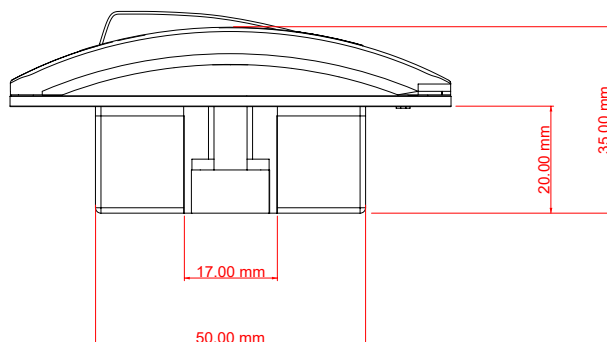
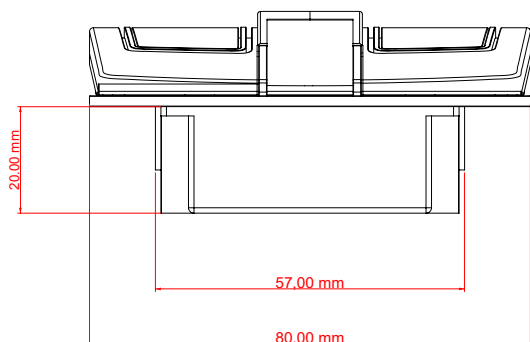
Bed Set Unit

Bed Set Unit

Bed Set Unit is used in the patient rooms. In an emergency, a patient uses the call button to make an emergency call which appears as a signal on the nurse console.

There are call and cancel buttons on the unit which are backlit and modern. Console is mounted on the patient headboard. Bed Set unit is connected to the headboard unit via RJ45 socket.

- This product is also a tool unit for the hand set unit to be connected.
- Can be flush mounted. Ergonomic.
- RJ45 socket provides easy installation.
- High quality PC-ABS-FR (Flame Retardant) raw materials.
- Call and Reset buttons are lighted with leds so they are easy to notice.



Technical specification

ZKRUNCIPWL10100

Weight (g)	56 gr.
Width (mm)	80 mm.
Depth (mm)	35 mm.
Height (mm)	80 mm.
Mounting dimensions	W-55mm D-20mm H-55mm
Processor	Microchip
Power supply	+ 5v dc
Operating temperature / Humidity	-10°C +60°C / % 30 %80 RH
Material	PC-ABS-FR (Flame Retardant)
Buzzer speaker	2400Hz 65 dB
Output connection	1-RJ45
Input connection	1-RJ45
Color	White
Communication	RS 485
Back Light	Yes