

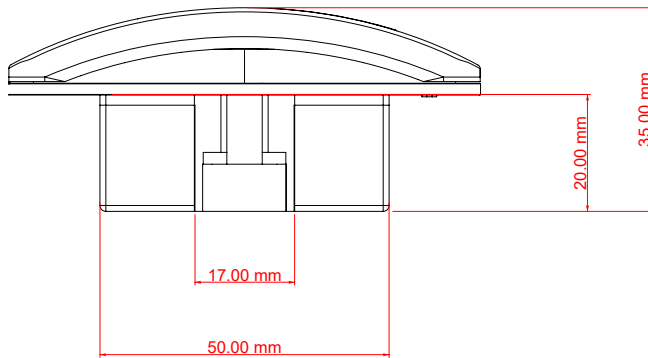
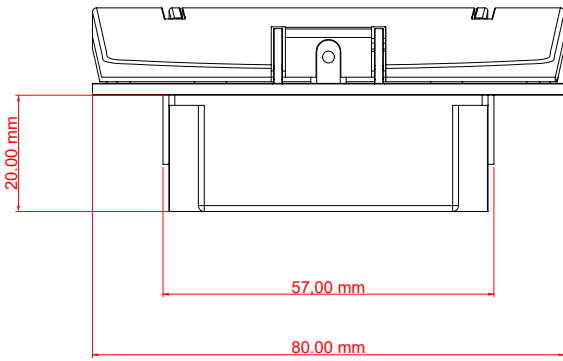
# ZKR Comfort

## WC Call Unit

### WC Emergency Call Unit

Wc Call Unit is used in the bathrooms of patient rooms. In an emergency, patient pulls the rope making an emergency call. Appears as a WC Emergency call on nurse console.

System gives priority to WC Emergency calls and appears before other calls. There is a call reset button and emergency call rope on the unit. It's backlit and modern.



#### Technical specification

ZKRUNCIPWC10100

Weight (g)	56 gr.
Width (mm)	80 mm.
Depth (mm)	35 mm.
Height (mm)	80 mm.
Rope Durability	Max 30kg
Operating temperature / Humidity	-10°C +60°C / % 30 %80 RH
Material	PC-ABS-FR (Flame Retardant)
Buzzer speaker	2400Hz 65 dB
Color	White
Communication	RS 485
Input Connection	1 RJ 45