

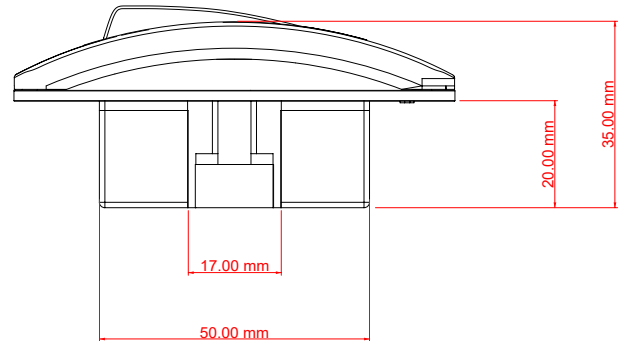
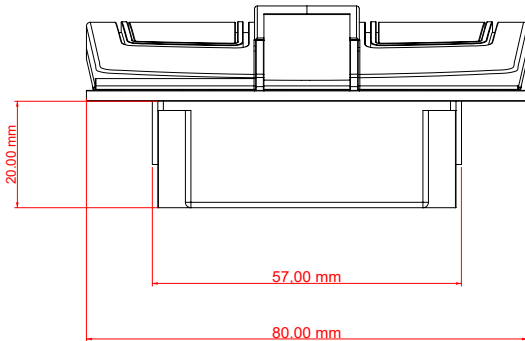
ZKR Comfort

Code Blue Unit

Code Blue Unit

Blue code start and end buttons are available. The blue code unit is connected to the RJ45 socket on the unit. It has an illuminated, aesthetic and durable structure.

- The built-in buckle has an ergonomic structure for fitting.
- RJ45 socket allows easy installation.
- ABS / FR raw material is used.
- Continuous LEDs for easy viewing of emergency call and reset buttons



Technical specification

ZKRUNCIPCDBL101

Weight (g)	56 gr.
Width (mm)	80 mm.
Depth (mm)	35 mm.
Height (mm)	80 mm.
Mounting Dimensions	W-55mm D-20mm H-55mm
Processor	Microchip
Power	5v dc
Operating temperature / Humidity	-10°C +60°C / % 30 %80 RH
Material	ABS/FR
Buzzer Speaker	2400Hz 65 dB
Output	1-RJ45
Input	1-RJ45
Color	Beyaz
Communication	RS 485
Backlit	Yes