

ZKR Comfort

Lamp Control Module

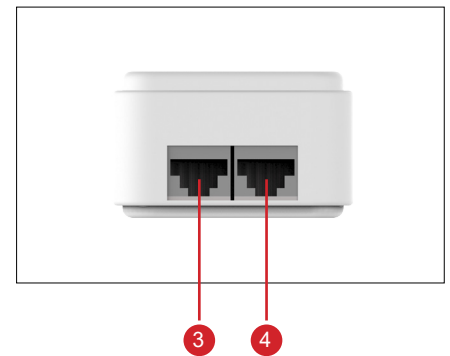
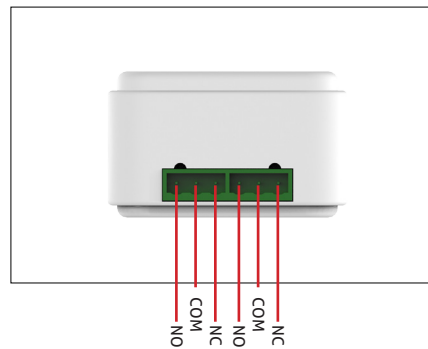
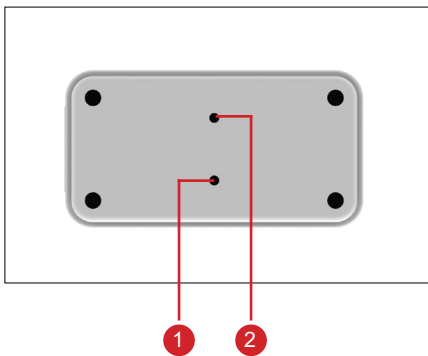
Lamp Control Module



This unit used for handset and room light system integration.

One unit must be used for each hand set.

1. Config Button
2. Status Led
3. Out
4. In



Technical specification

ZKRUNCANRMLK100

Weight (g)	75 gr.
Width (mm)	80 mm.
Depth (mm)	50 mm.
Height (mm)	40 mm.
Operating temperature / Humidity	-20°C +60°C / % 30 %80 RH
Connection Type	Vavien
Output	No-com-NC
Input	1-RJ45
Color	Gray
Communication	RS 485